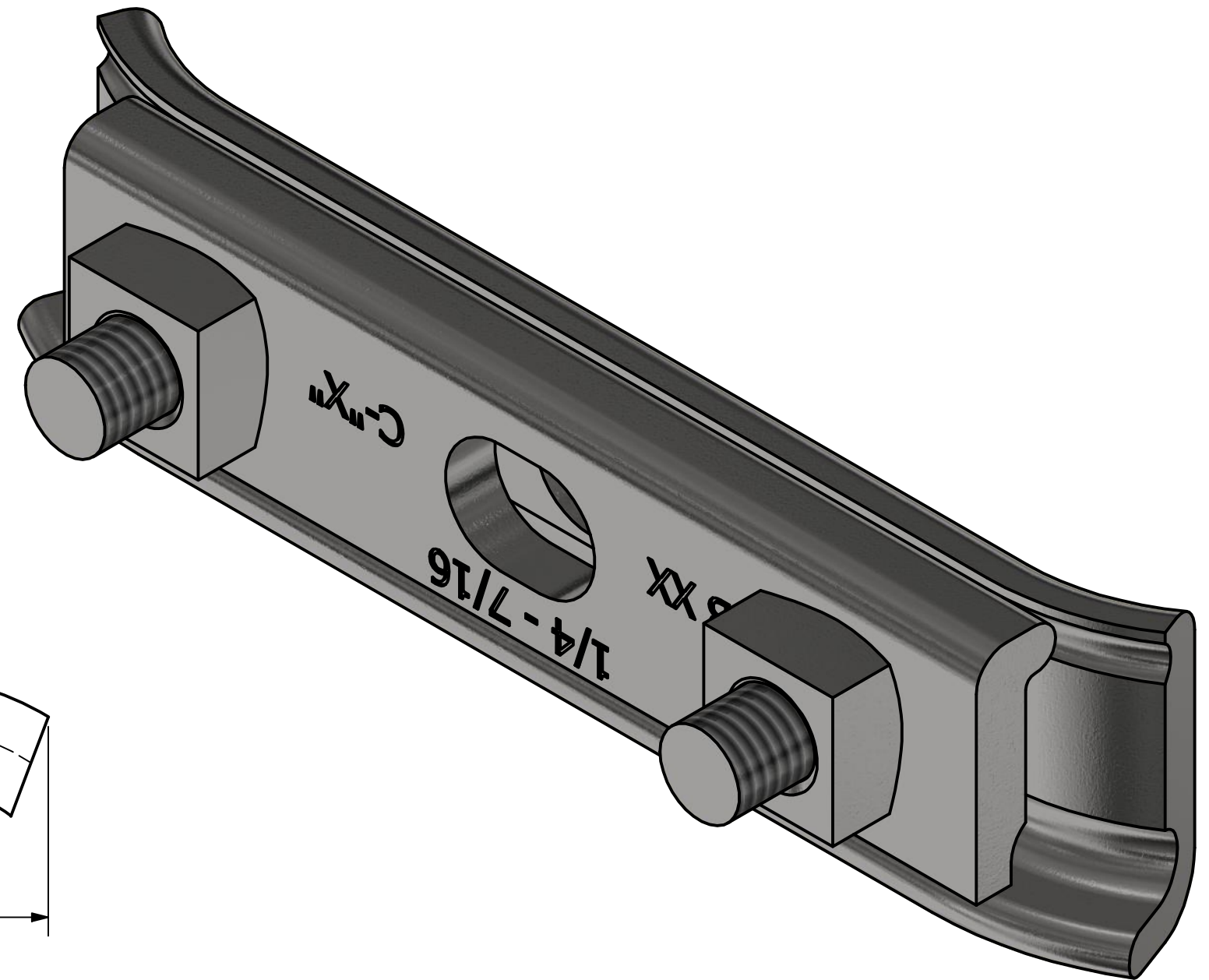
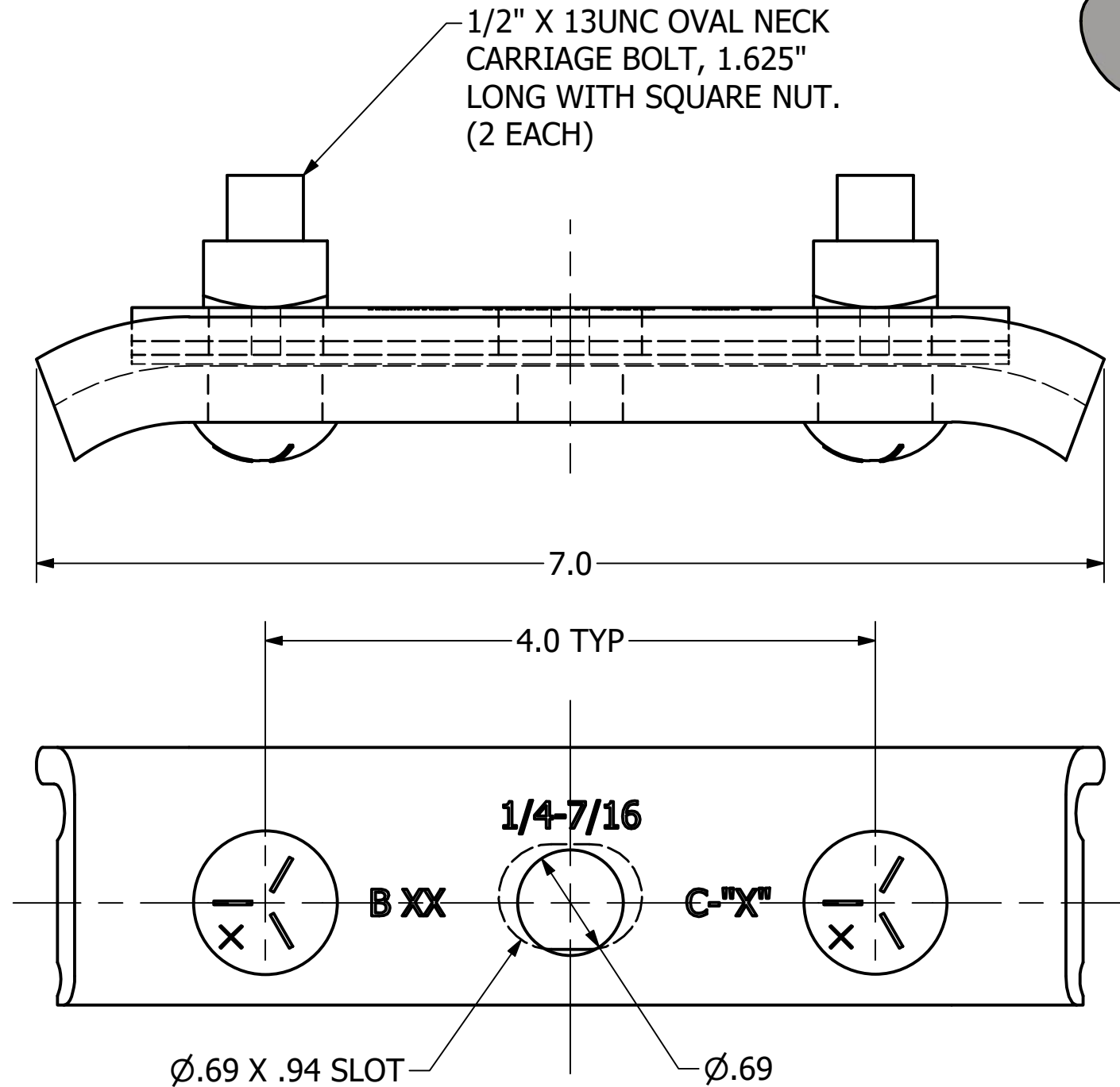


-NOTES-

1. MATERIAL: STEEL GALVANIZED PER ASTM A153.
2. ACCEPTS MESSENGER STRANDS 1/4"-7/16" IN DIAMETER.



CATALOG NUMBER: 7902L

CHANCE ®		HUBBELL ® POWER SYSTEMS, INC.	
TITLE CORNER CABLE SUSPENSION CLAMP			
SIZE B	CAT / PART / ASSY NO. 7902L	DWG NO. SA7902L	REV B
DO NOT SCALE THIS DRAWING	DRN BY HOEK	DATE 4/20/20	SHEET 1 OF 1

CONFIDENTIAL: THIS DRAWING AND ITS CONTENTS ARE CONFIDENTIAL AND THE EXCLUSIVE PROPERTY OF HUBBELL POWER SYSTEMS. NO PUBLICATION, DISTRIBUTION, OR COPIES MAY BE MADE WITHOUT THE WRITTEN CONSENT OF HUBBELL POWER SYSTEMS. HUBBELL POWER SYSTEMS UNPUBLISHED ALL RIGHTS RESERVED UNDER THE COPYRIGHT LAWS.